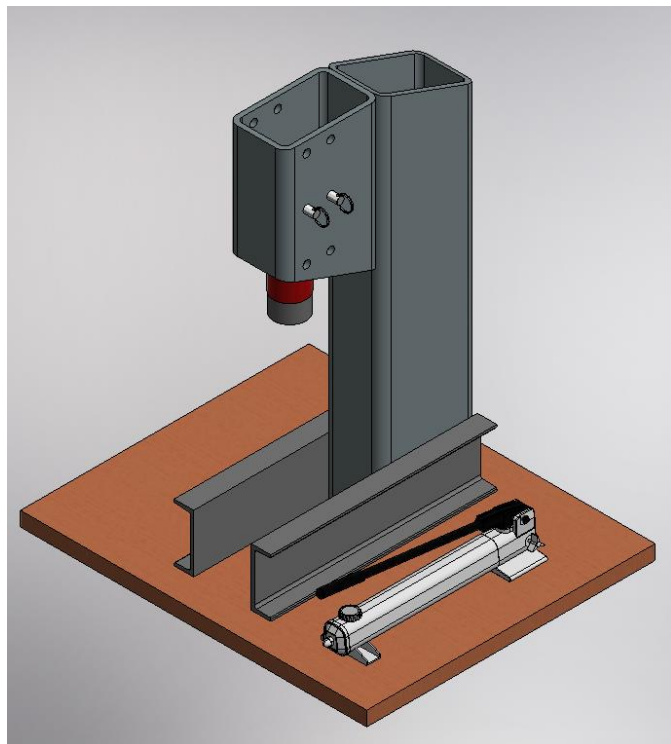




## Phoenix Hydraulic Presses 25T C-Frame Shop Press



**Rugged, Dependable, and Affordable.**



### 25T C-Frame Specifications:

- ✓ **American Made:** Designed and fabricated in our Columbus, OH facility by experience design engineers.
- ✓ **Heavy Duty Construction:** Fully welded structural steel frame, designed for durability and low maintenance. Built to last.
- ✓ **Adjustable Working Height:** Cylinder adjusts to three set working heights to handle an extensive range of applications.
- ✓ **Large Open Workspace:** Equipped with a long bed and more clearance than comparable presses on the market. Providing access for loading / unloading of workpieces.
- ✓ **Convenient Footprint:** Compact enough to easily mount to a bench top. Small enough to be shipped as a single piece.
- ✓ **Affordable Pricing:** Streamlined processes and strong relationships with suppliers save you money

Phoenix Hydraulic Presses has been proudly engineering and manufacturing since 1987. Consistently delivering high performance, maximum strength, and durability in even the toughest applications.

PowerX has been designing and developing high quality hydraulic systems to the industrial markets since 2001. We pride ourselves on supplying the highest quality products at an affordable price.

### Phoenix and PowerX - A Winning Combination

Phoenix Hydraulic Presses and PowerX International have partnered to build a superior line of shop presses that are built to last, simple to operate, and affordable to own. Presses are designed and assembled in the U.S.A. Combining top-quality Phoenix press frames with the reliability of PowerX hydraulic components, you can't find a better press in the marketplace.

